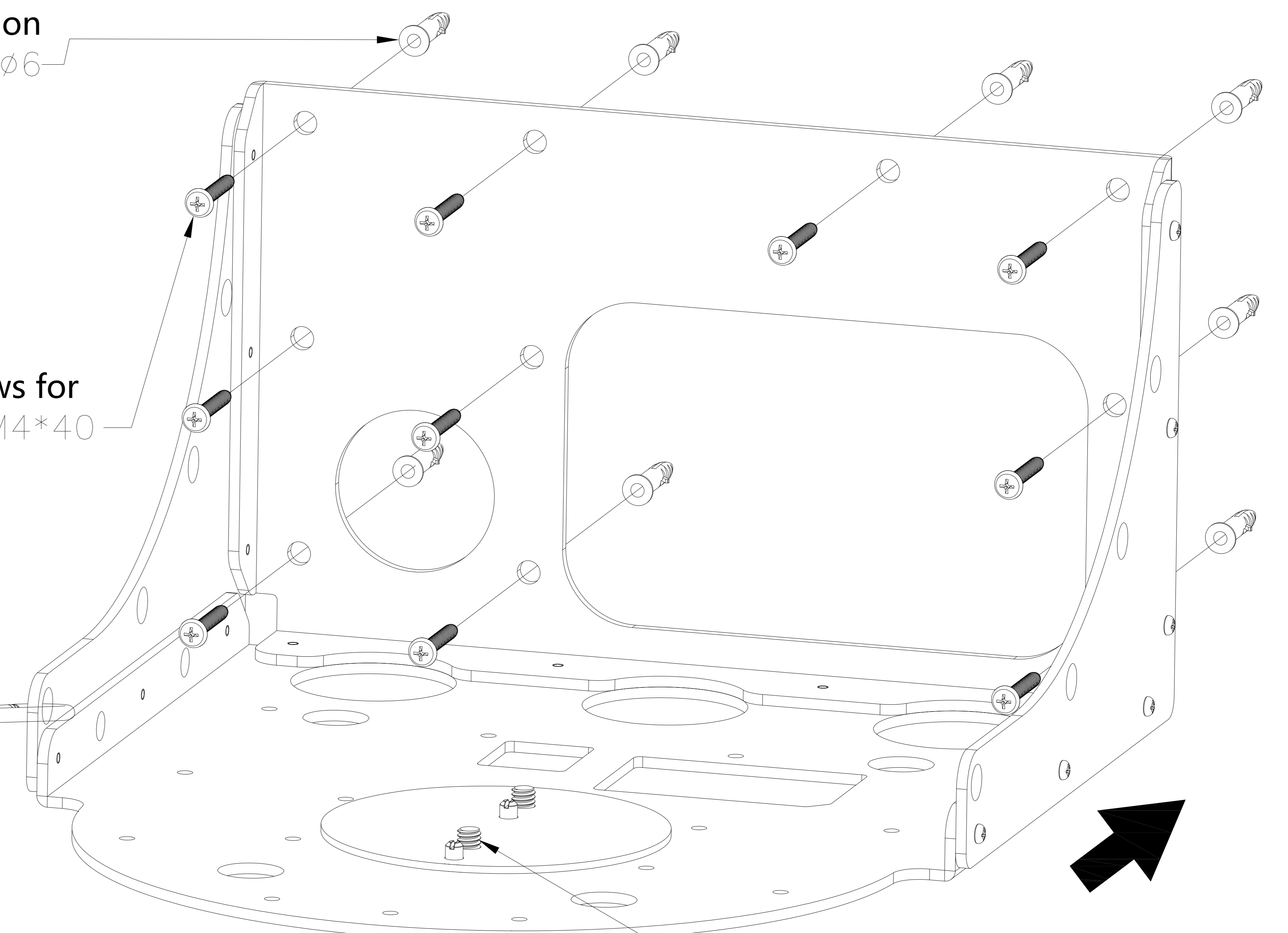
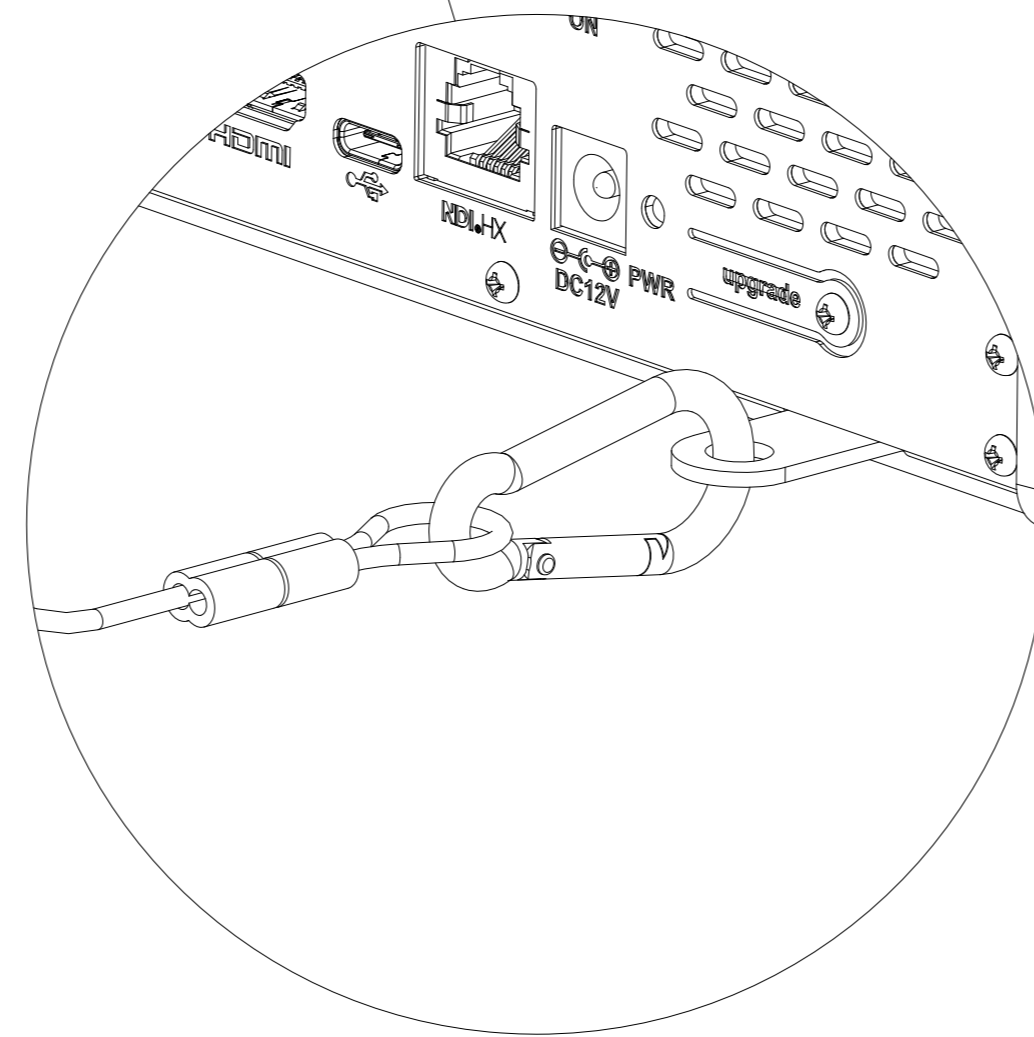


Plastic expansion
dowels: 10- $\phi 6$

Mounting Screws for
Bracket: 10-M4*40



Camera Mounting Screws: 2-1/4-20UNC



1. Referring to the holes on the back panel of the wall-mounted bracket, drill holes in the concrete wall with a diameter of $\phi 6$ and a depth of ≥ 35 mm. Embed 10 $\phi 6$ plastic expansion screws into the drilled holes. Use 10 M4*40 screws to secure the wall-mounted bracket to the wall.
2. Attach one end of the safety lock rope to the camera's tail hole using a carabiner, and hook the other end's carabiner into the hole on the side panel of the wall mount, thereby connecting the camera to the bracket.
3. Align the camera with the positioning posts on the bracket, place it on the bracket, and use 2 1/4-20UNC screws to secure the camera.